

FIG 1
PRIOR ART

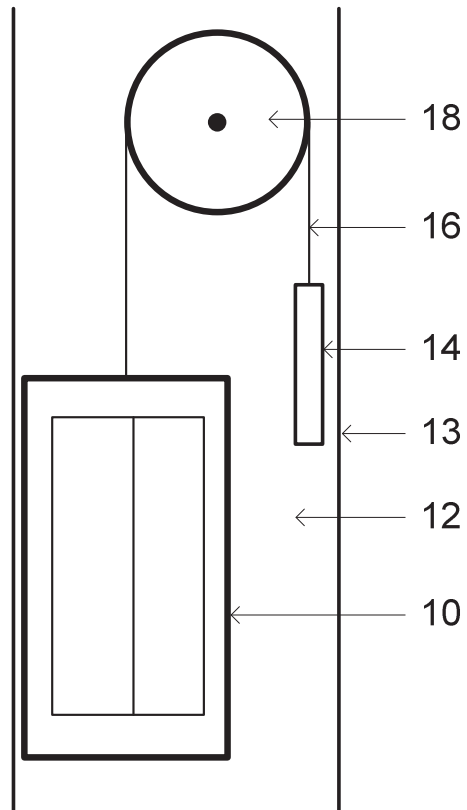


FIG 2

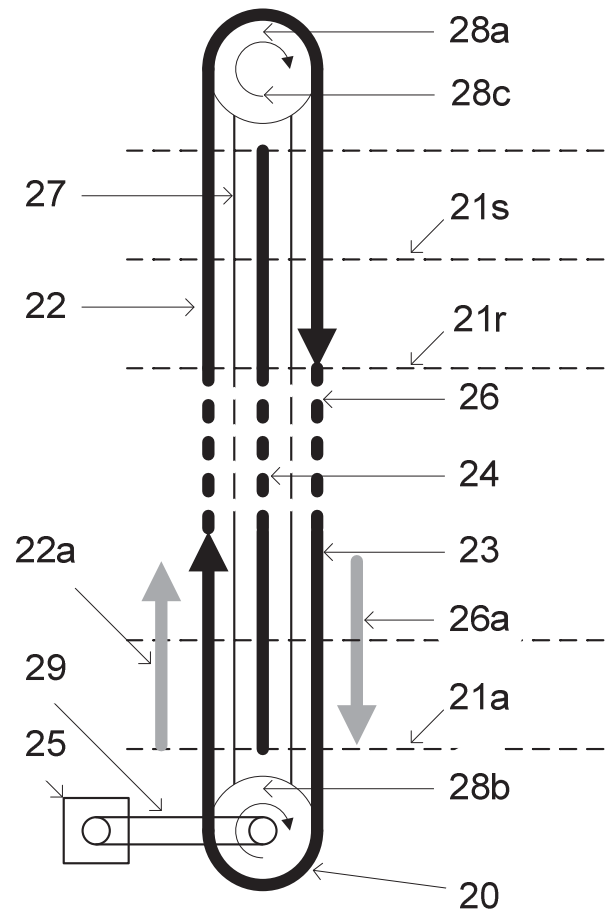


FIG 3A

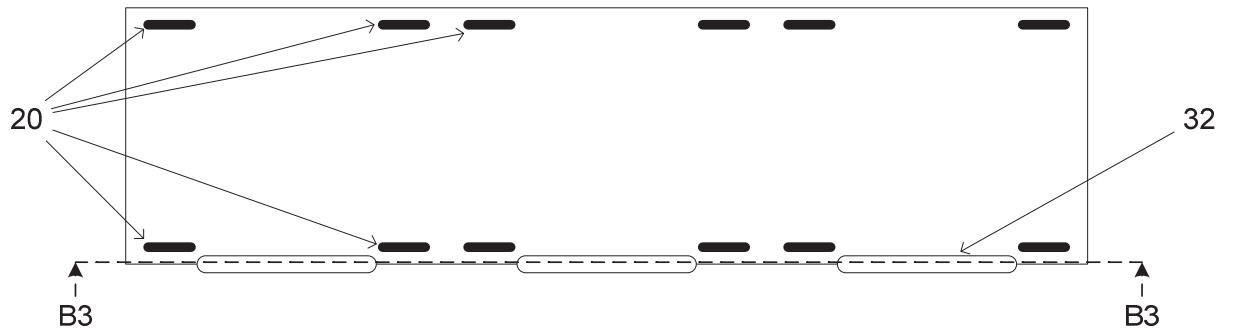


FIG 3B

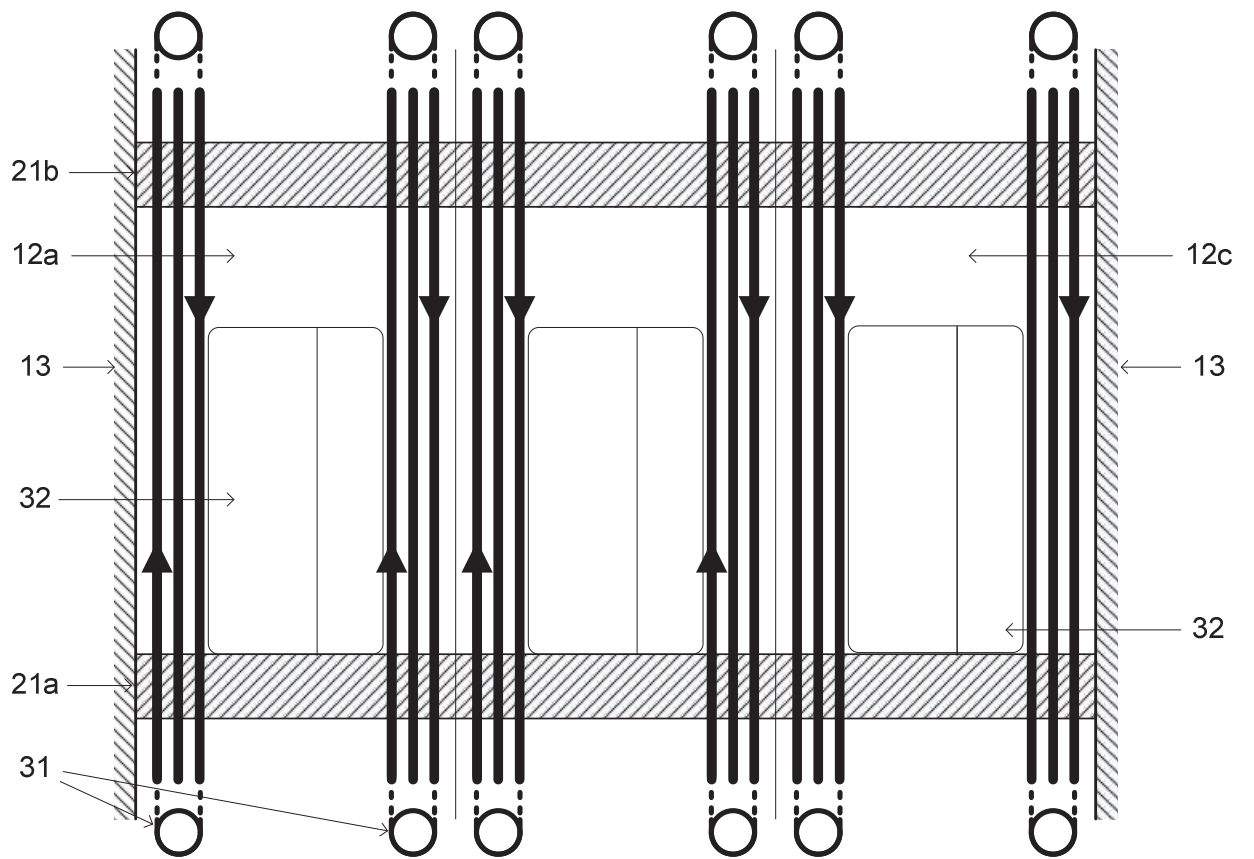


FIG 4A

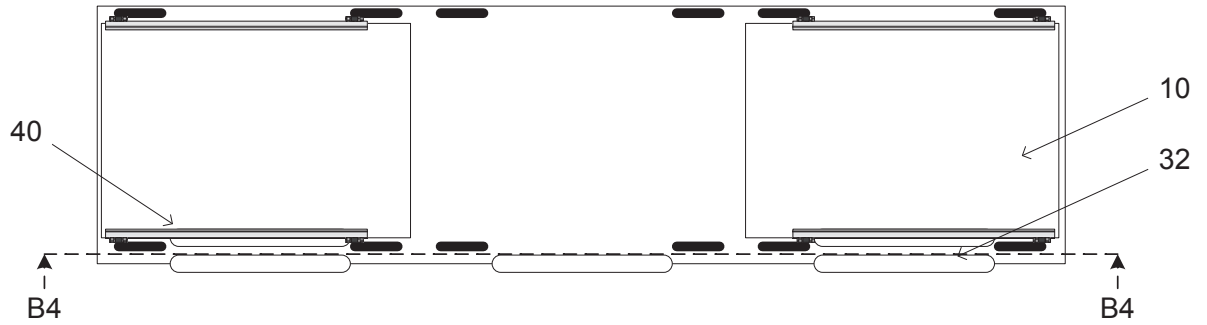


FIG 4B

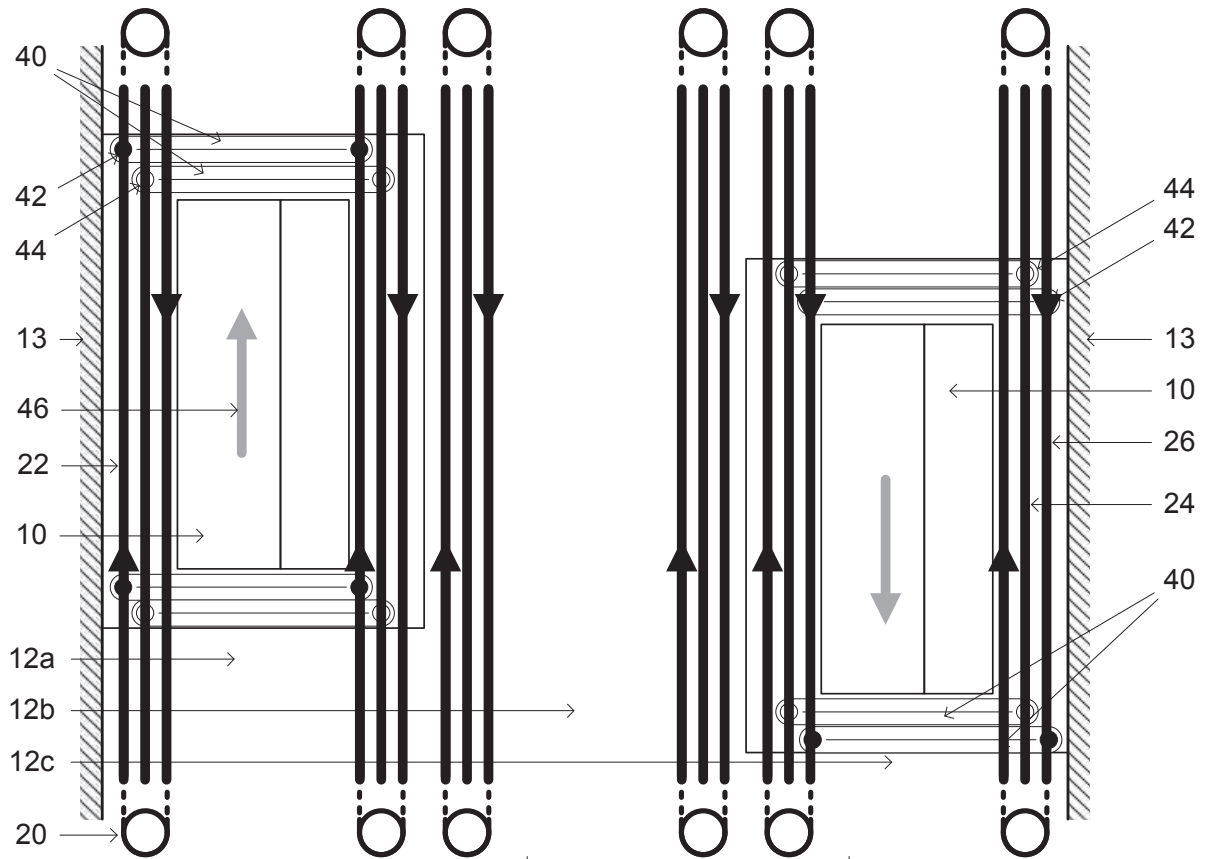


FIG 4C

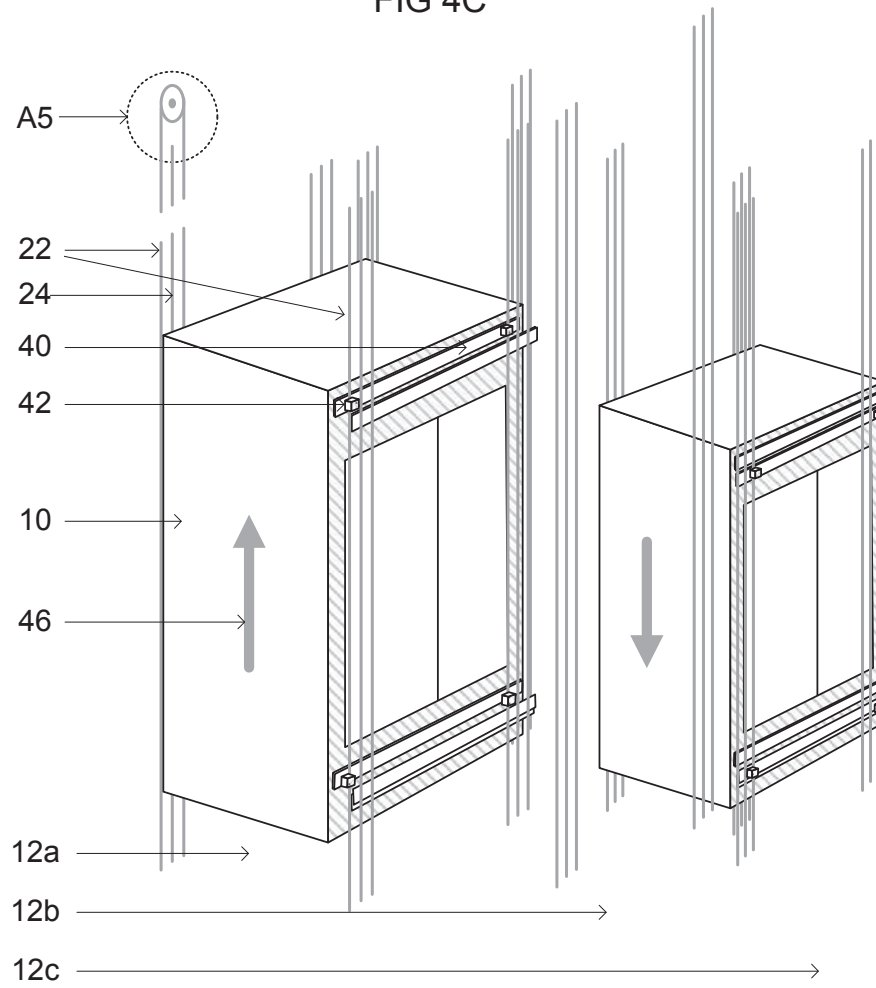


FIG 5

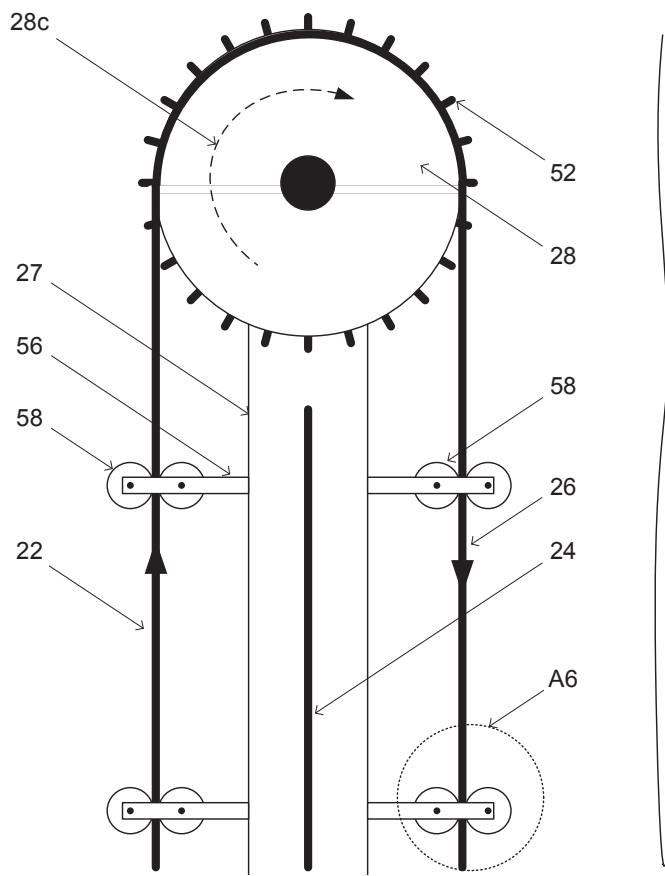
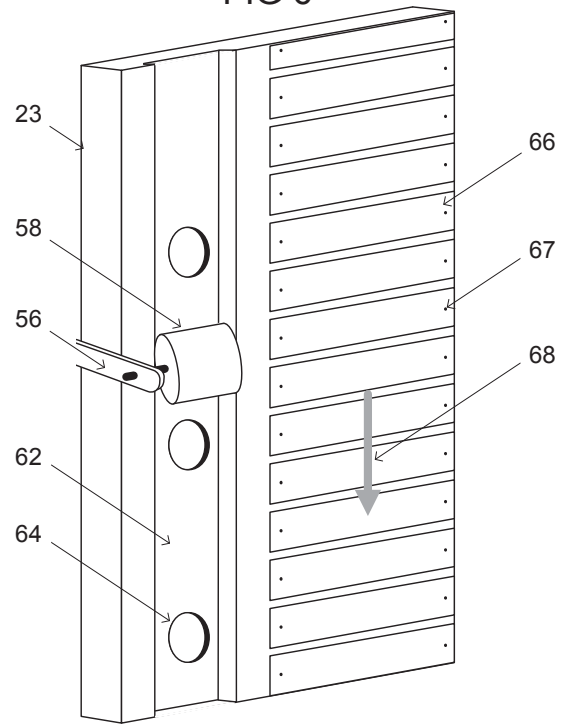


FIG 6



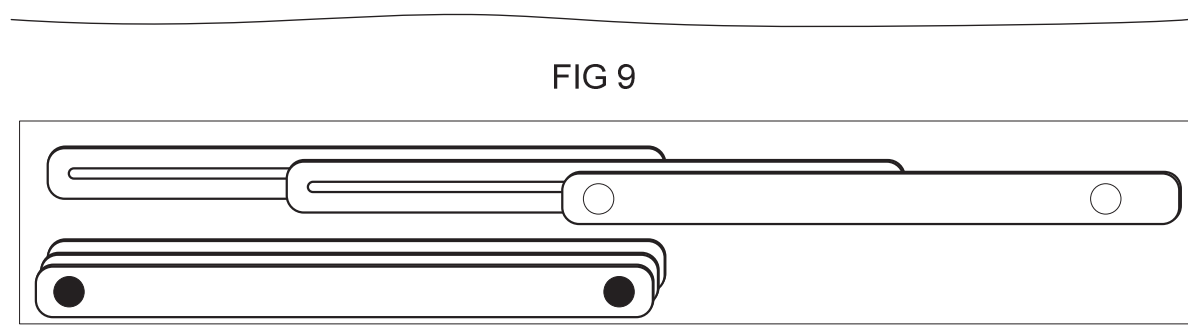
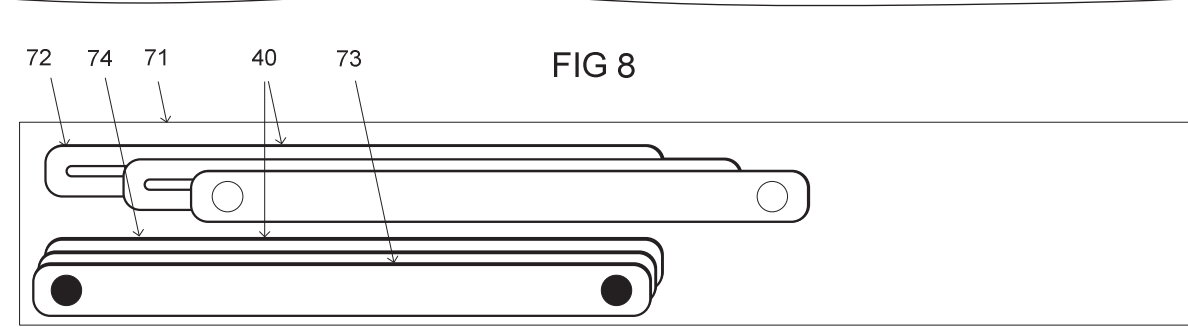
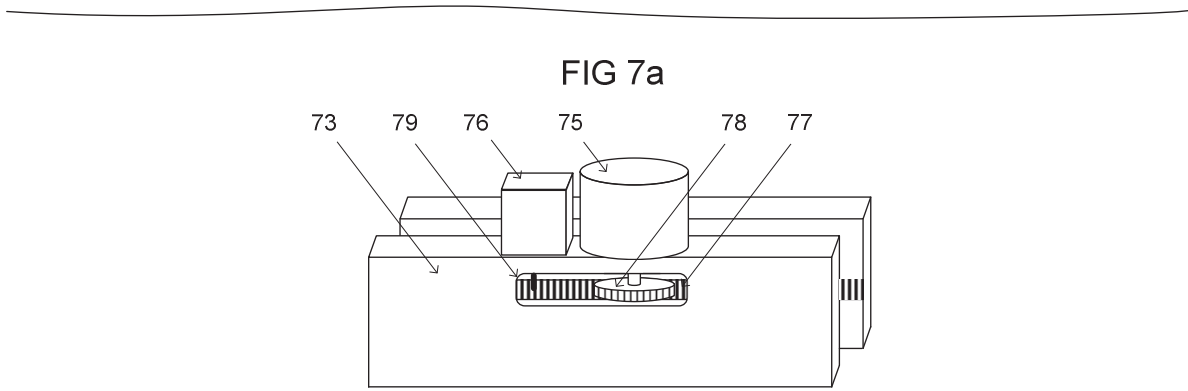
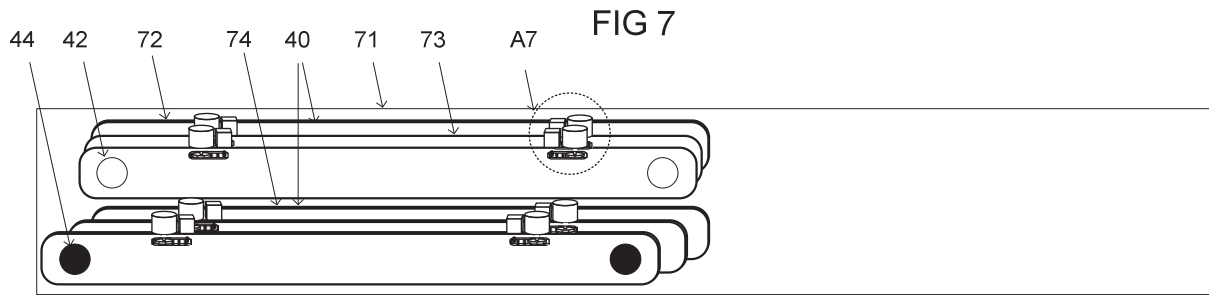


FIG 10B

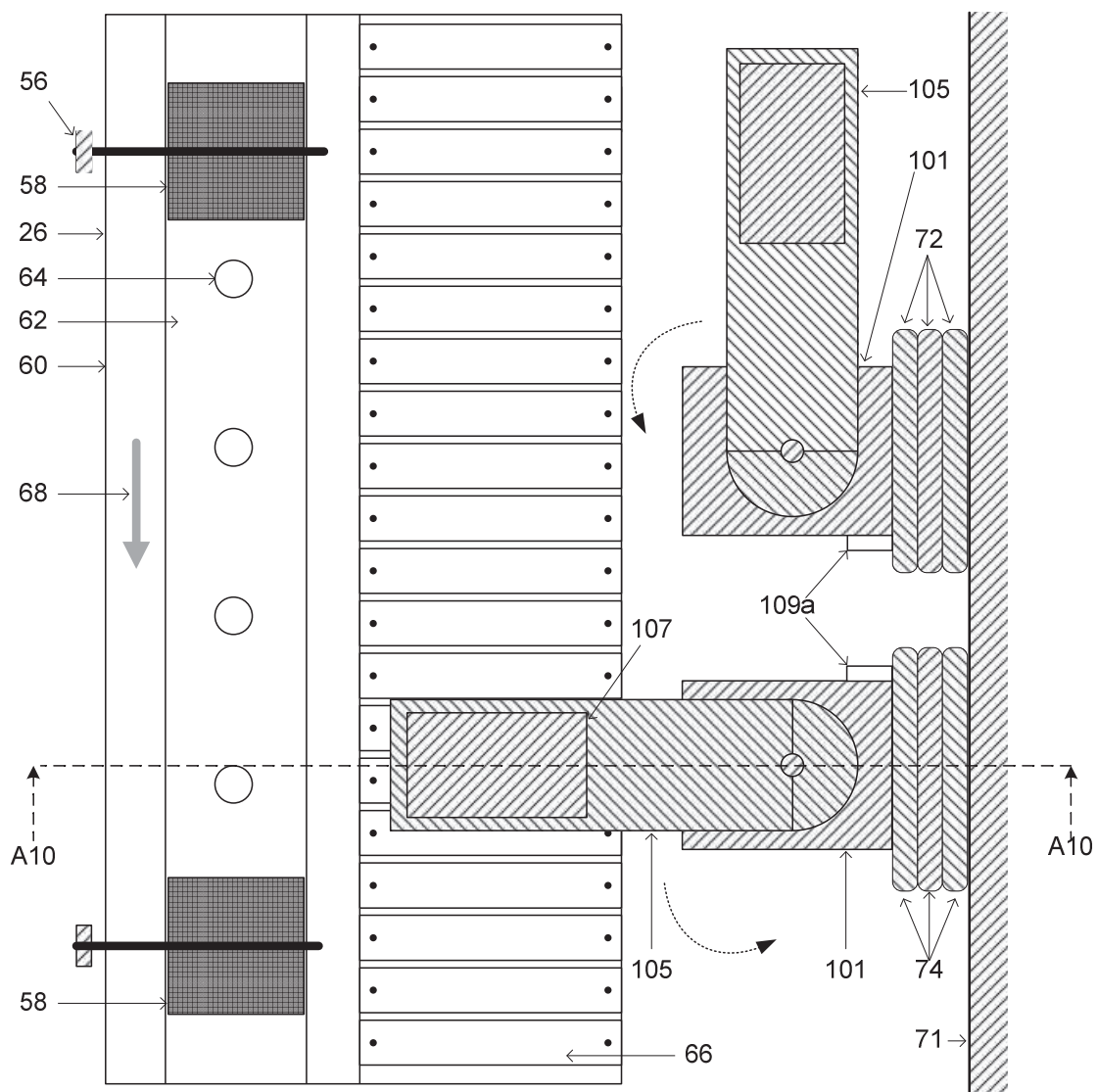


FIG 10C

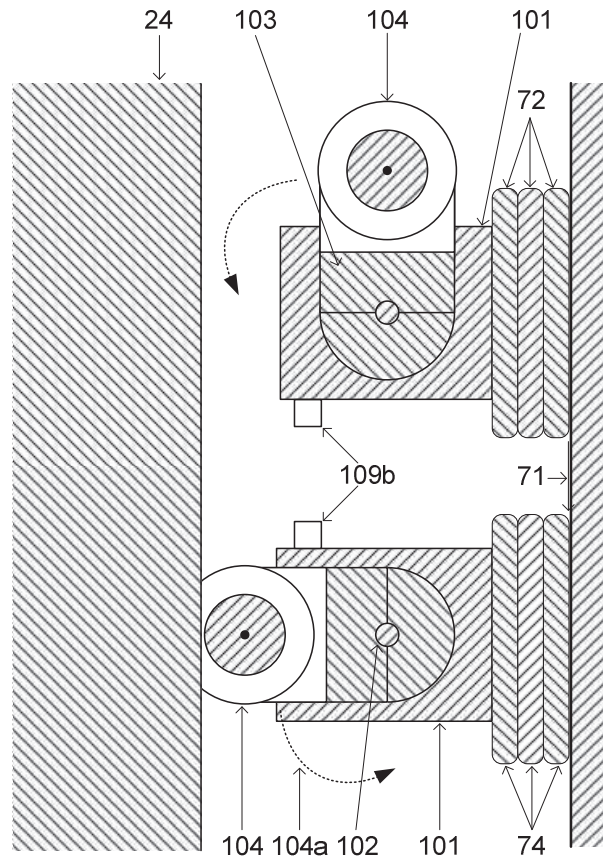


FIG 12

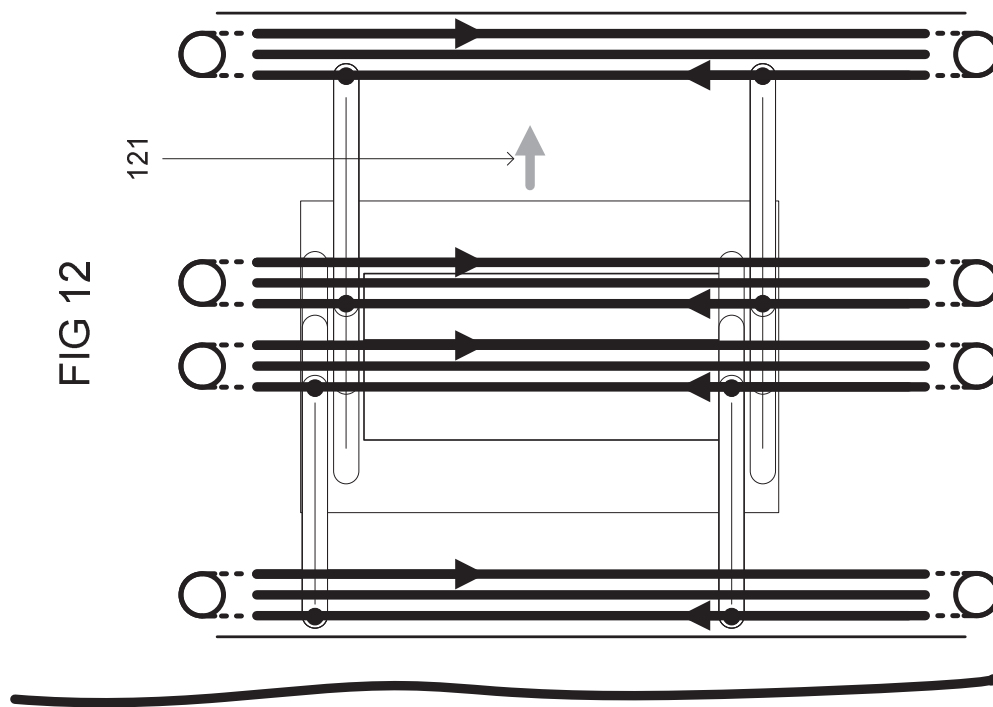


FIG 11

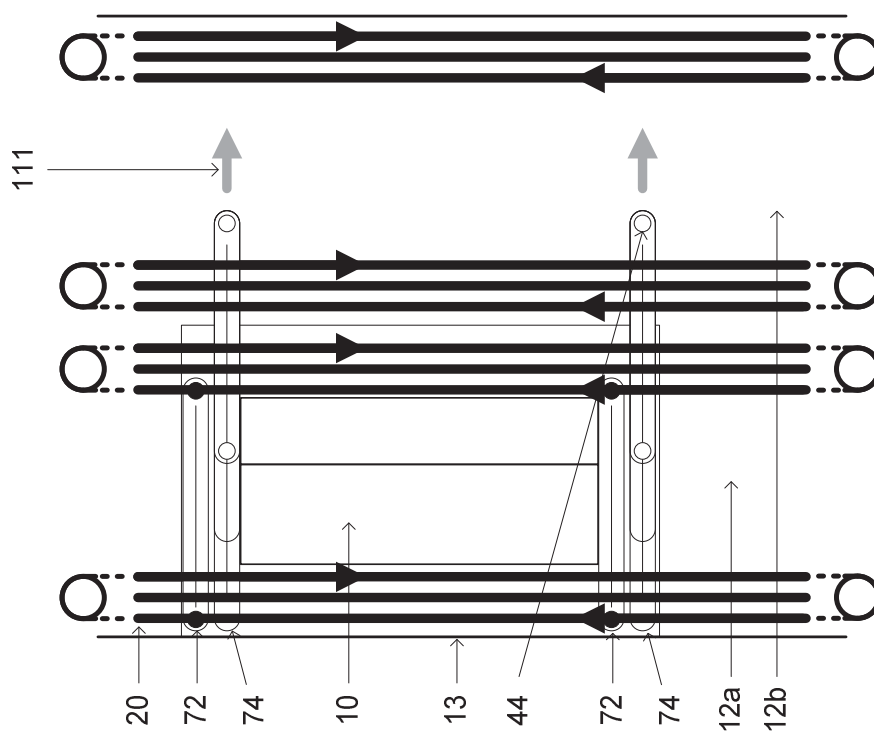


FIG 13

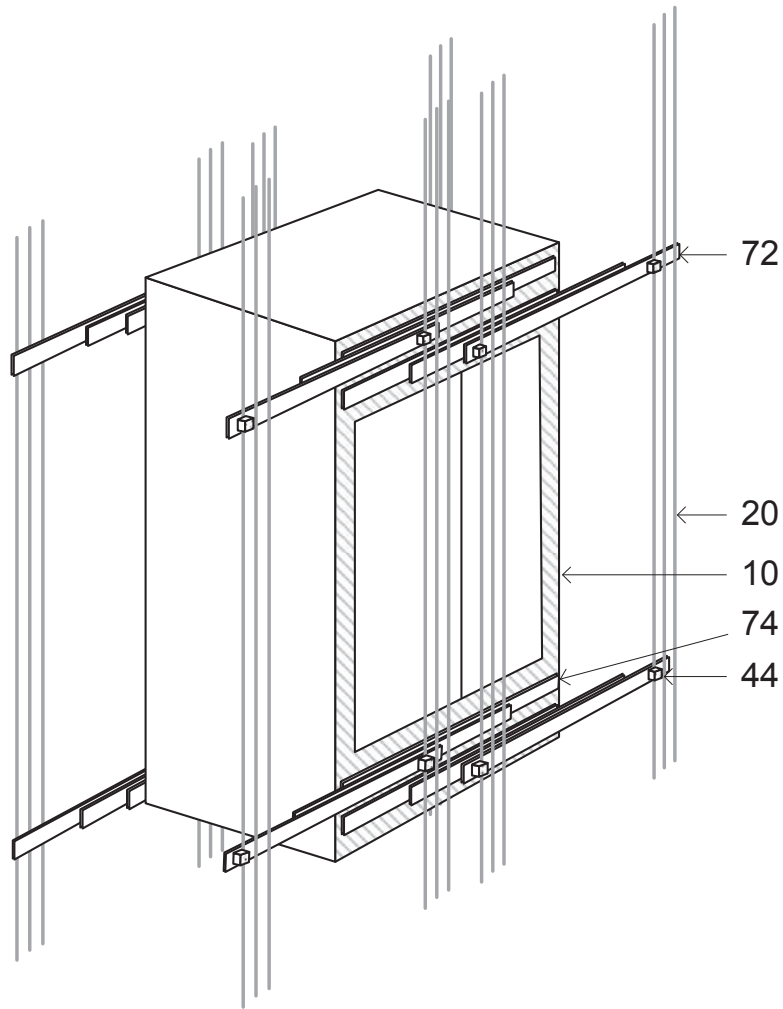


FIG 15B

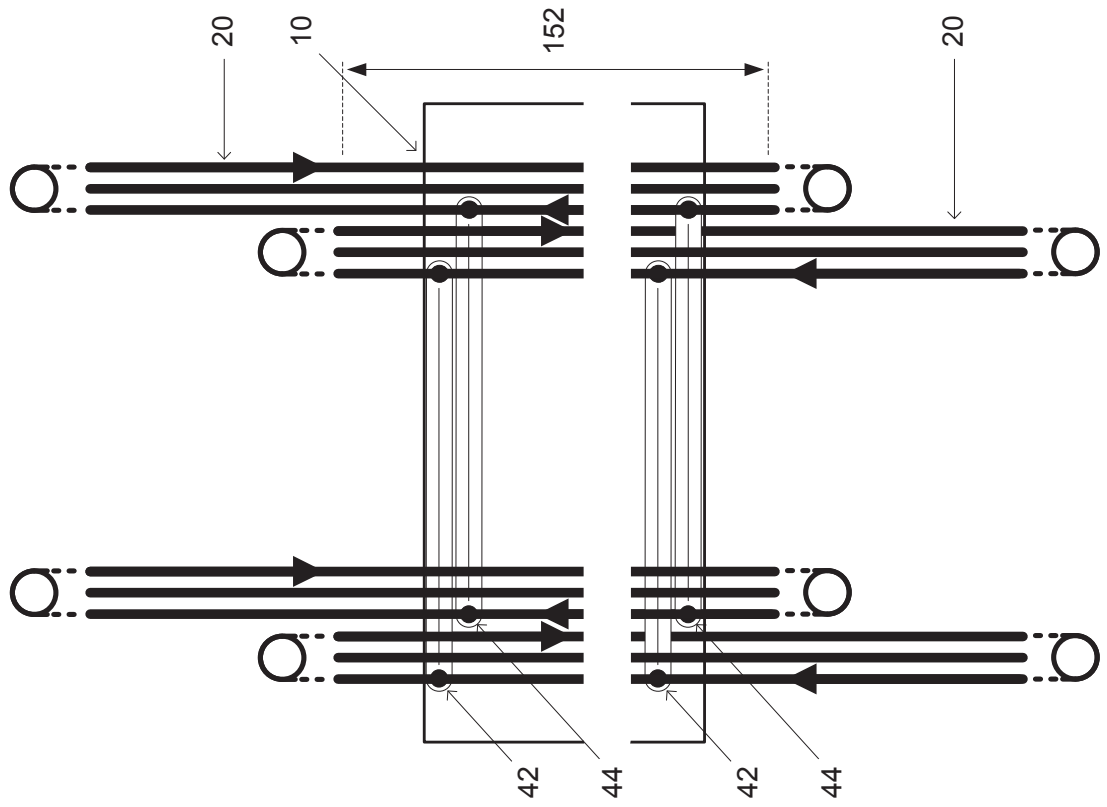
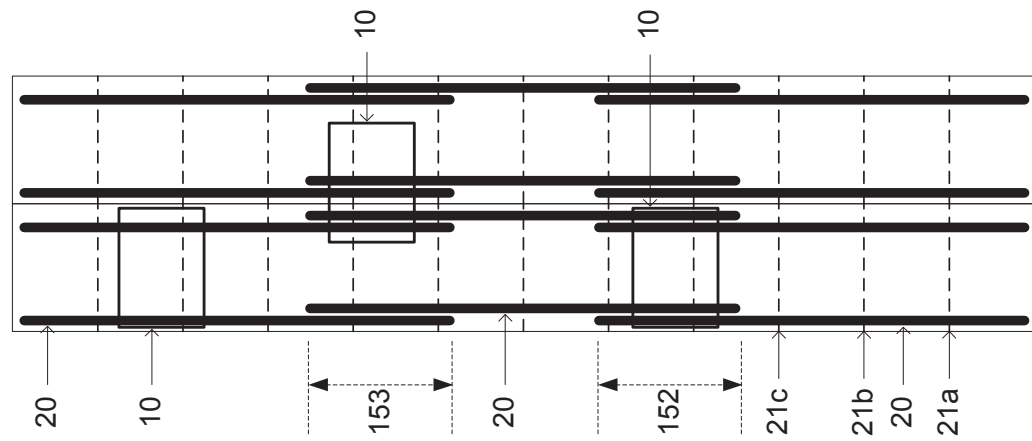
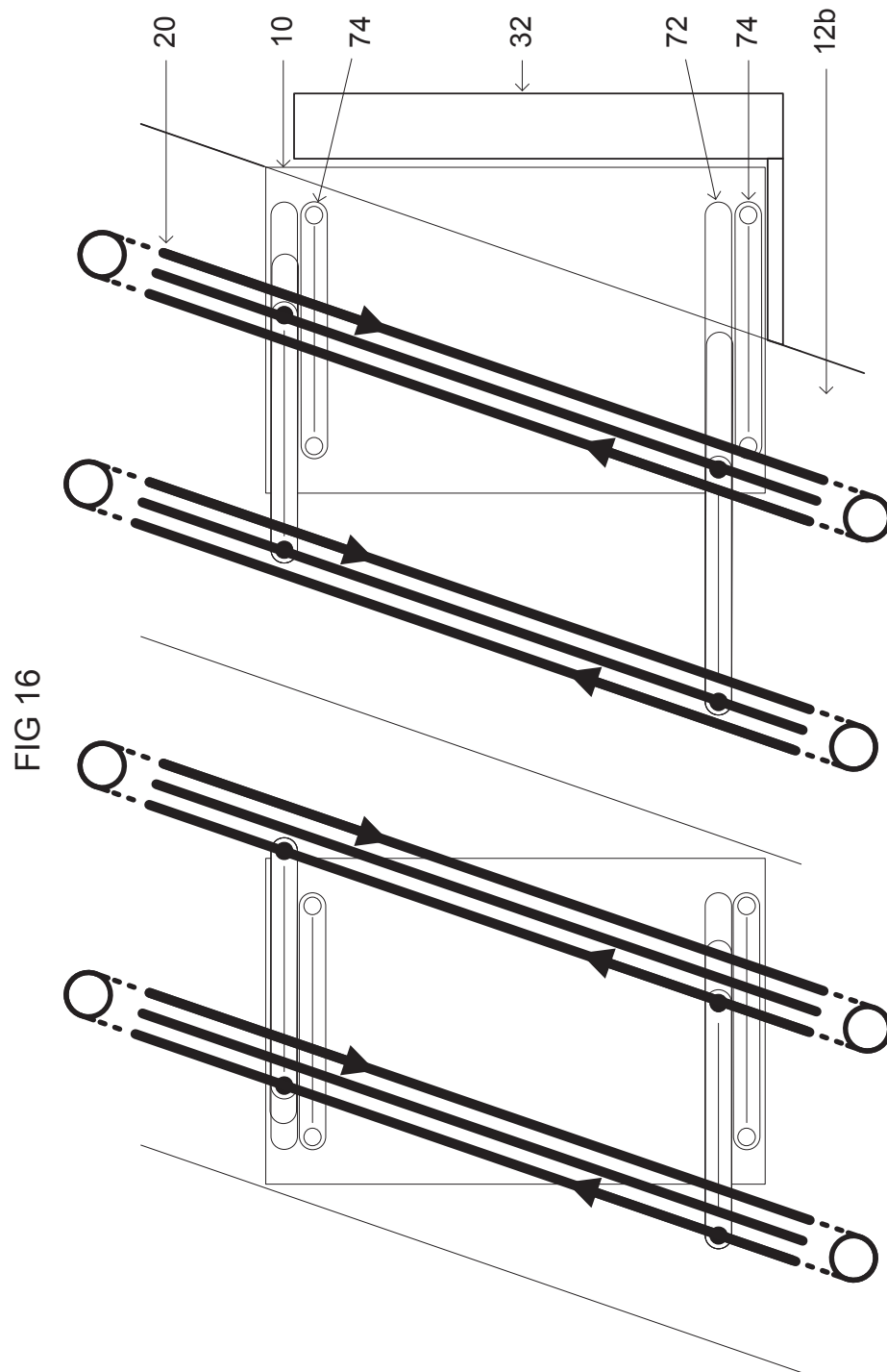


FIG 15A





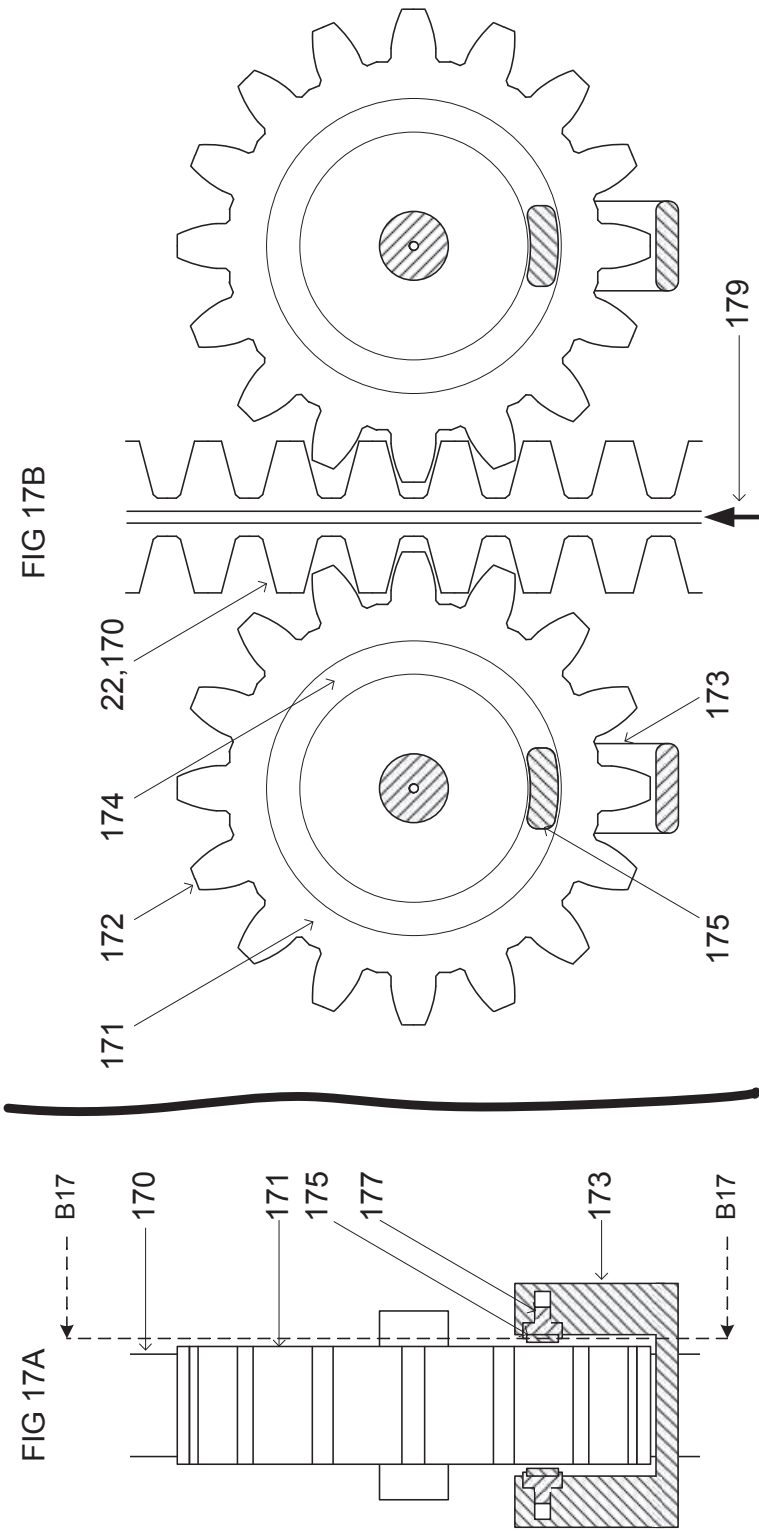


FIG 18A

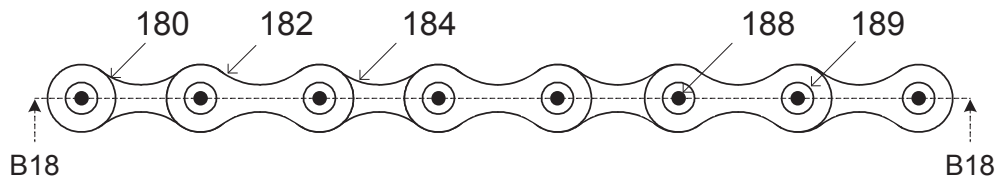


FIG 18B

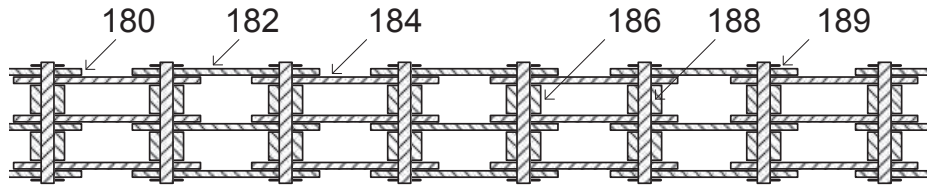


FIG 19A

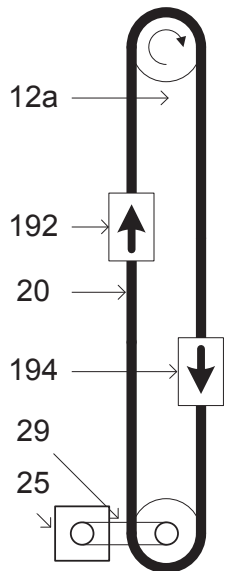


FIG 19B

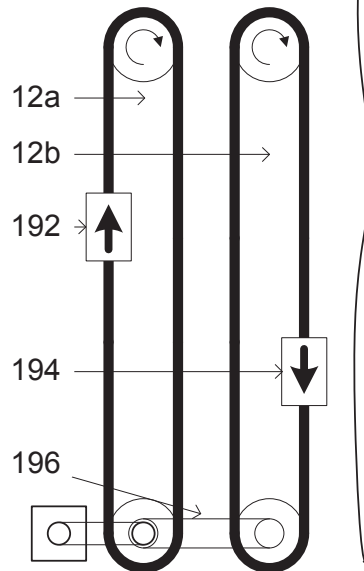


FIG 19C

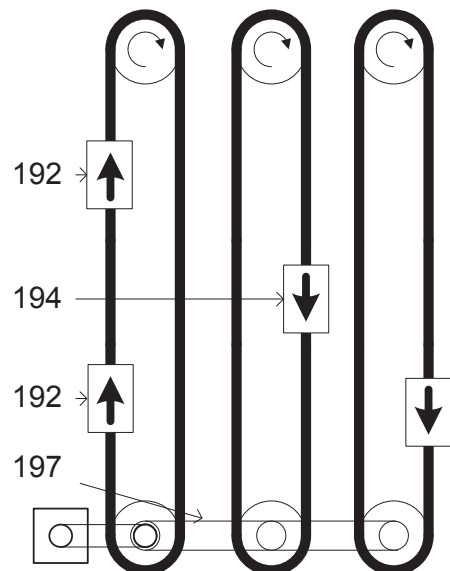


FIG 20A

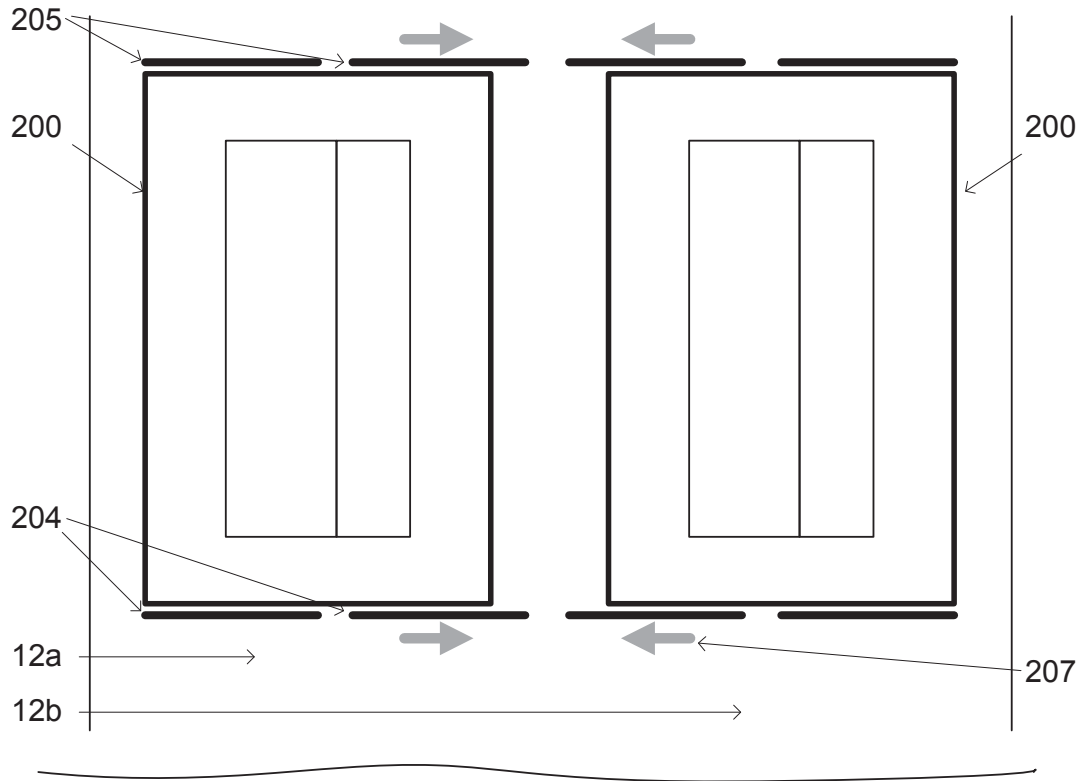


FIG 20B

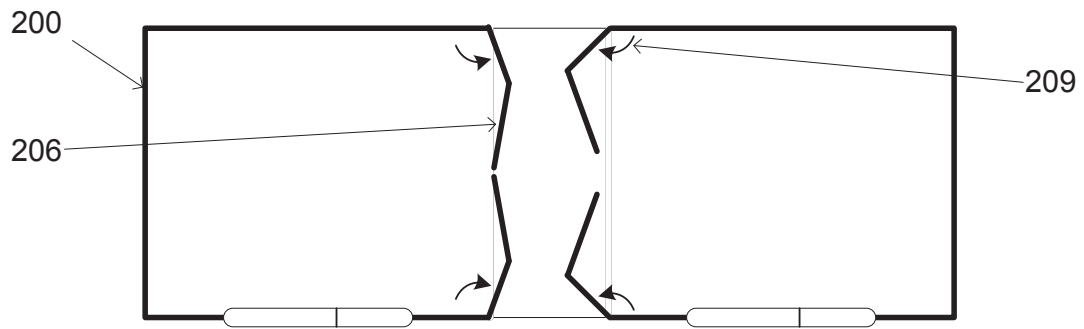


FIG 21B

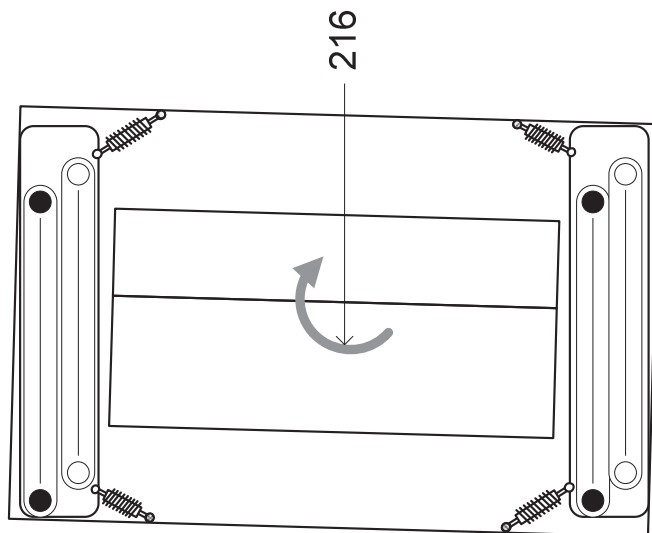


FIG 21A

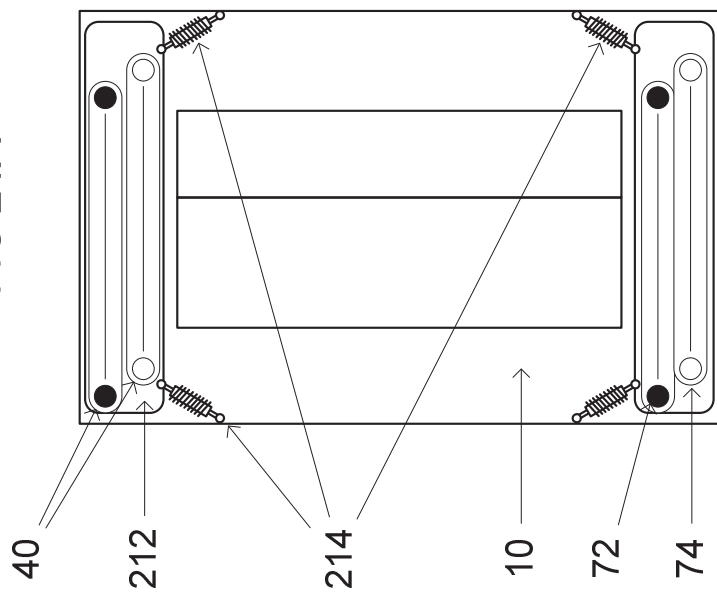


FIG 22

